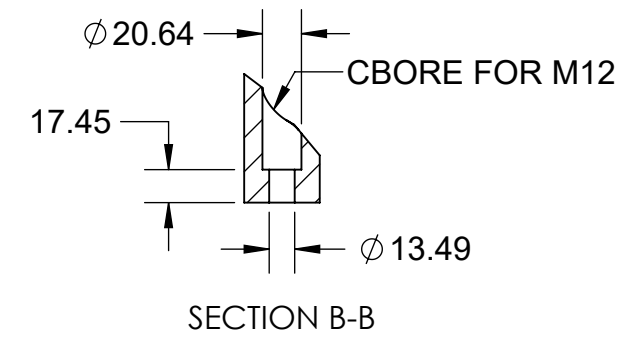
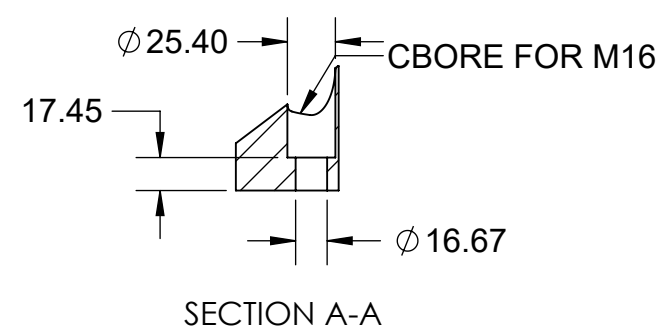
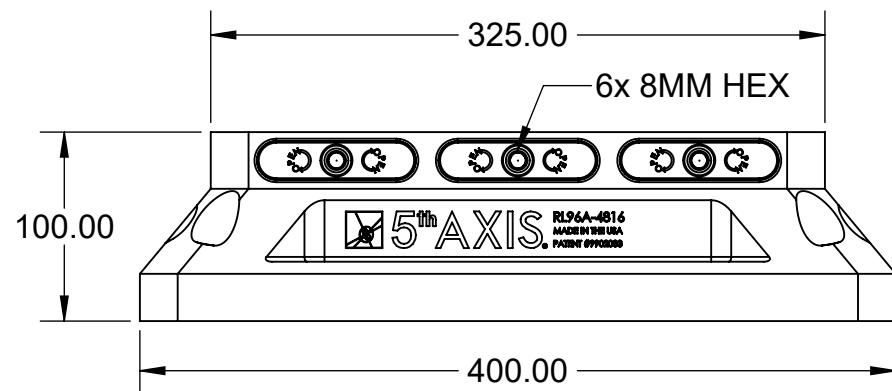
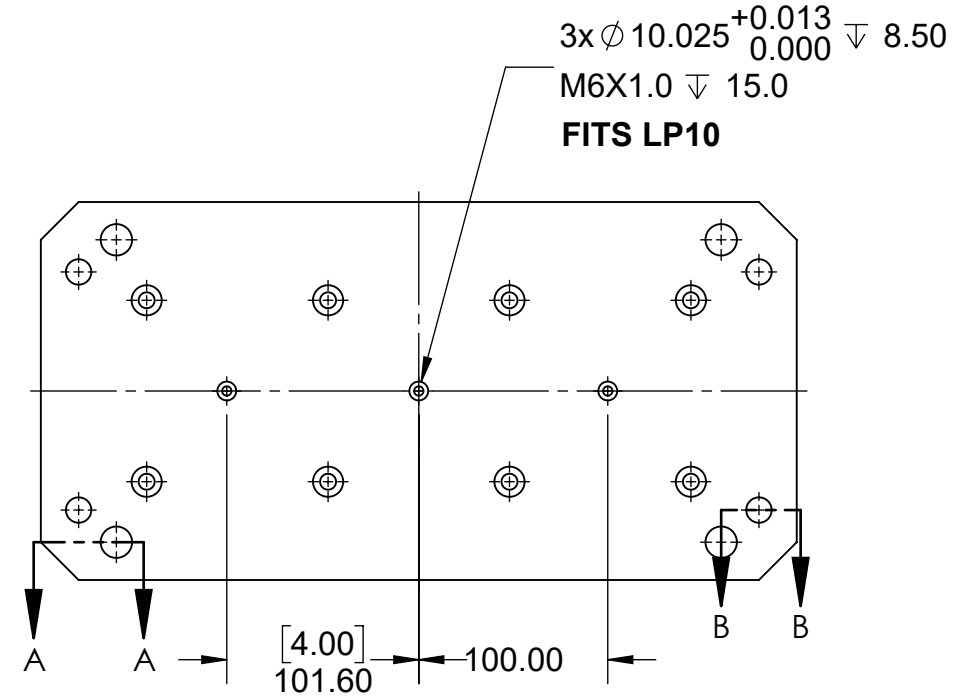
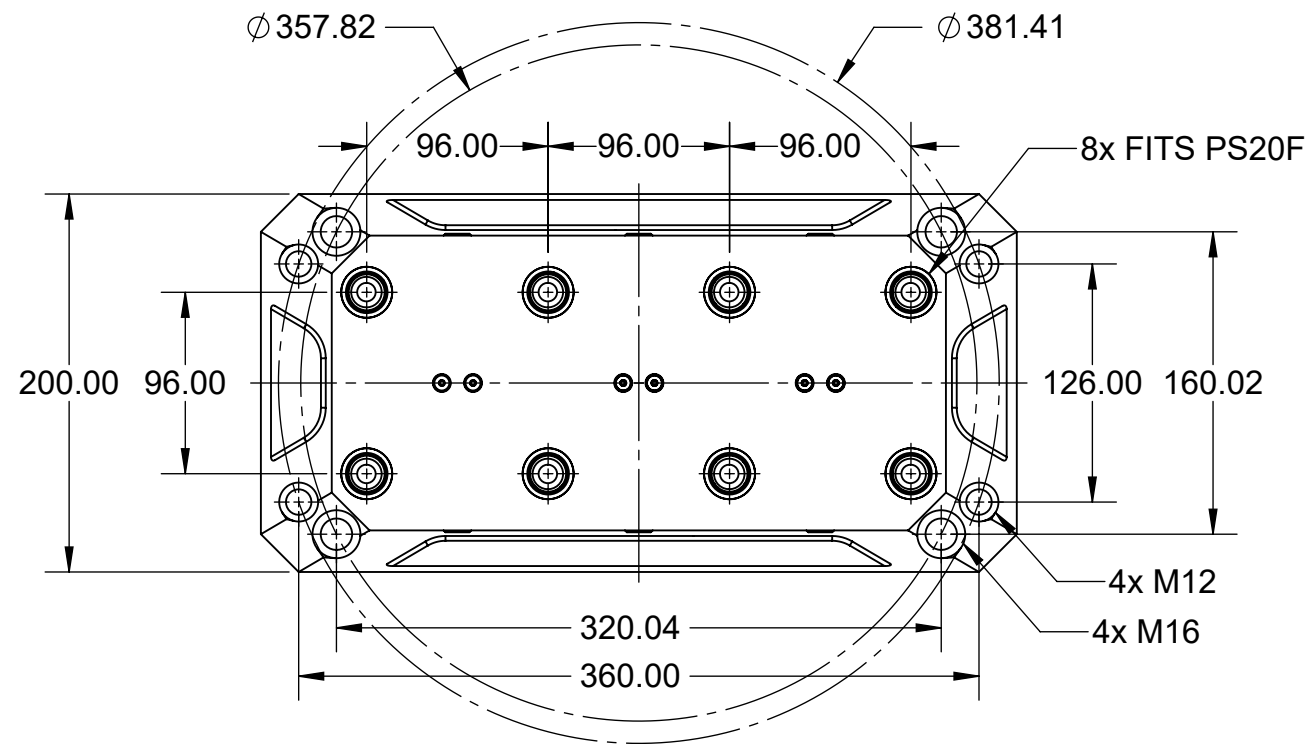
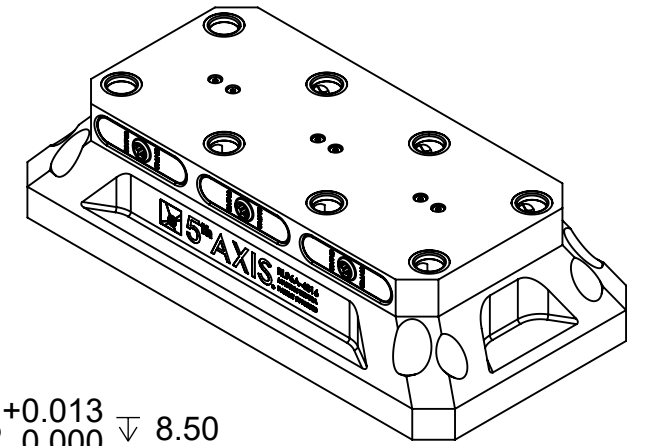

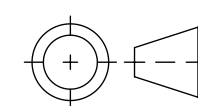


**MATERIAL:**  
**RL96A-4816: 6061 ALUMINUM BODY**

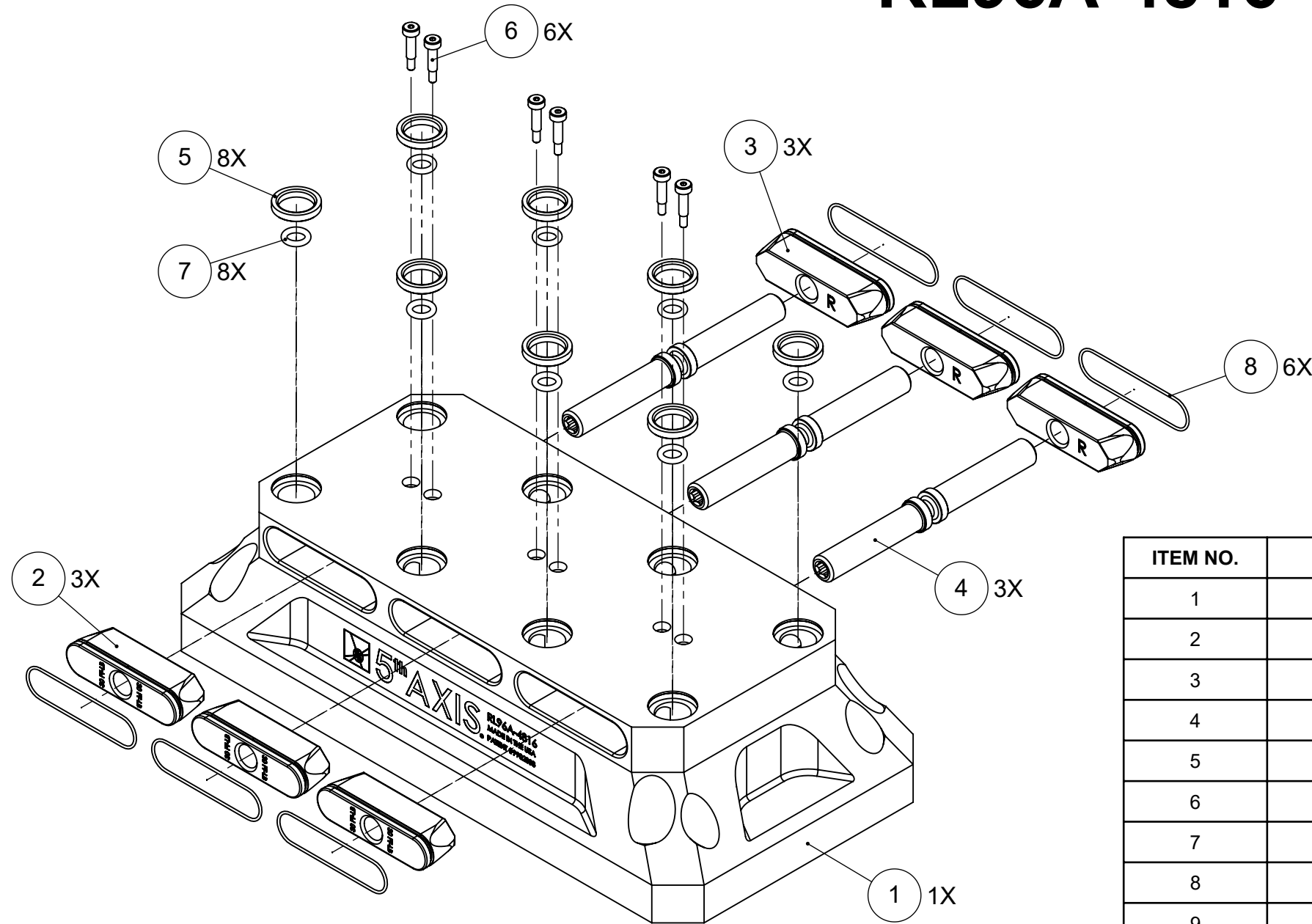
# RL96A-4816



<b>MILLIMETER</b>		<b>TOLERANCES</b> UNLESS OTHERWISE SPECIFIED			
DRAWN IN ACCORDANCE WITH ASME Y14.5-2009		x ± 0.1    .xx ± 0.01 .x ± 0.05    .xxx ± 0.005 ANGULAR ± 0.5° THIRD ANGLE PROJECTION			
WWW.5THAXIS.COM				DESCRIPTION <b>ROCKLOCK™ 96MM MULTI-POSITION RISER</b>	
7140 ENGINEER ROAD SAN DIEGO, CA 92111		SIZE <b>B</b>	PART NO. <b>RL96A-4816</b>	REV <b>A</b>	
P (858) 505-0432 F (858) 505-9344		DO NOT SCALE DRAWING		SCALE 1:4	WEIGHT:
				SHEET 1 OF 2	

**MATERIAL:**  
**RL96A-4816: 6061 ALUMINUM BODY**

# RL96A-4816



ITEM NO.	PART NUMBER	DESCRIPTION	QTY.
1	RL96-14816A	ROCKLOCK™ RISER	1
2	RL96-2L	LEFT ROCKLOCK™ TRUCK	3
3	RL96-2R	RIGHT ROCKLOCK™ TRUCK	3
4	RL96-3	ROCKLOCK™ LEAD SCREW	3
5	27X20.DB	PRECISION BUSHING	8
6	SB54	SHOULDER BOLT	6
7	9452K183	BASE O-RING	8
8	9452K121	TRUCK O-RING	6
9	9750K73	PLASTIC PLUG (NOT SHOWN)	8

**FOR REFERENCE ONLY - NOT FOR RESALE**

<b>MILLIMETER</b> <small>DRAWN IN ACCORDANCE WITH          ASME Y14.5-2009</small>	<b>TOLERANCES</b> <small>UNLESS OTHERWISE SPECIFIED</small> x ± 0.1    .xx ± 0.01 .x ± 0.05    .xxx ± 0.005 ANGULAR ± 0.5° THIRD ANGLE PROJECTION		
		<b>ROCKLOCK™ 96MM MULTI-POSITION RISER</b>	
WWW.5THAXIS.COM  7140 ENGINEER ROAD SAN DIEGO, CA 92111  P (858) 505-0432 F (858) 505-9344		DESCRIPTION <b>ROCKLOCK™ 96MM MULTI-POSITION RISER</b>	SIZE <b>B</b> PART NO. <b>RL96A-4816</b> REV <b>A</b>
DO NOT SCALE DRAWING		SCALE 1:3	WEIGHT:    SHEET 2 OF 2